

Fixed Container Fittings

Longitudinal Dovetail Twistlock 45°

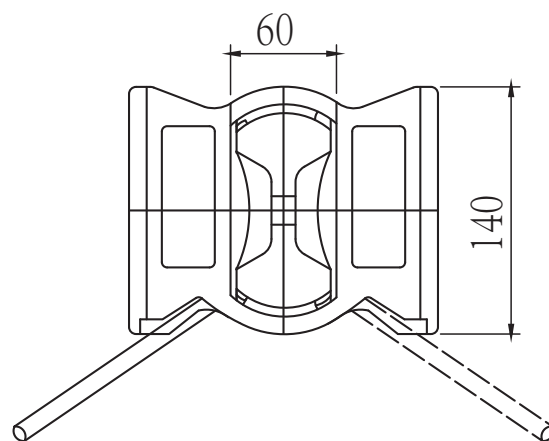
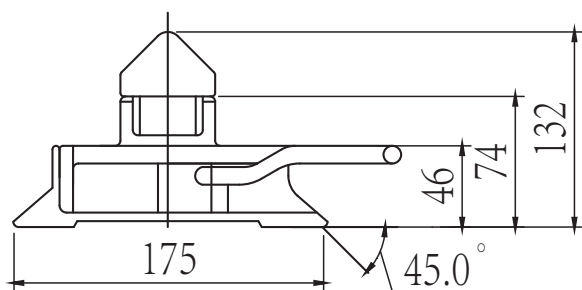
Weight:6.8Kg

Breaking Load:500KN

Material:Cone:Forged Steel

Body:Cast Steel

Finish:Hot Dip Galvanized



TL-45/A

Transversal Dovetail Twistlock45°

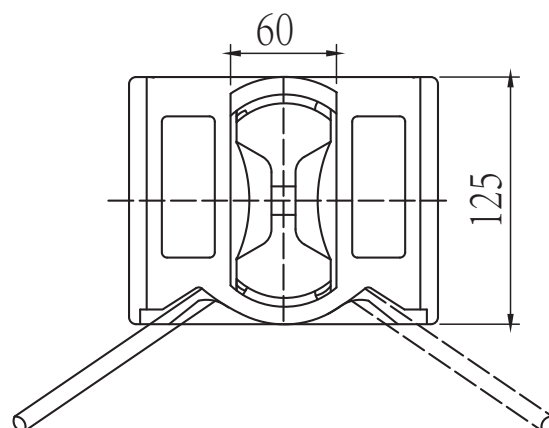
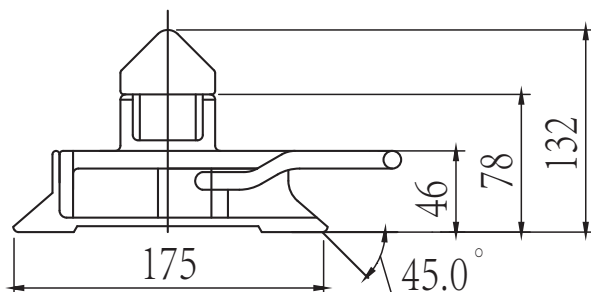
Weight:7.0Kg

Breaking Load:500KN

Material:Cone:Forged Steel

Body:Cast Steel

Finish:Hot Dip Galvanized



TL-45/B