

Fixed Container Fittings

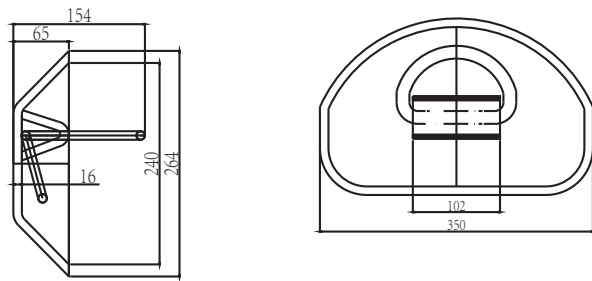
Flush D-Ring 36T

Weight:15.6 Kg

Breaking Load:360KN

Material:Ring:Drop-Forged HTS-Steel
Plate:Bent Steel

Finish:Primer Painted



DR-FLUSH

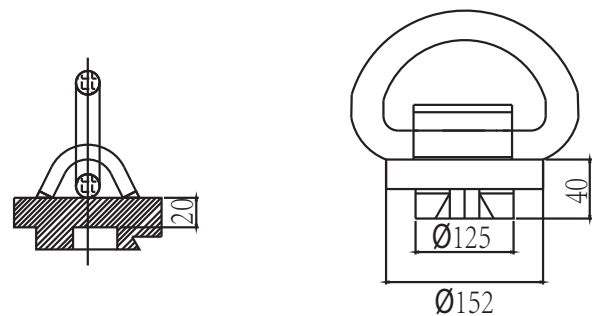
Breech Base D-Ring

Weight:7.2 Kg

Breaking Load:400KN

Material:Ring:Drop-Forged HTS-Steel

Finish:Primer Painted



DR-BREECH

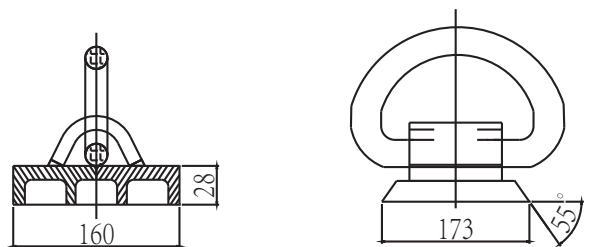
Sliding D-Ring

Weight:8.1 Kg

Breaking Load:400KN

Material:Ring:Drop-Forged HTS-Steel

Finish:Primer Painted



DR-SLIDING/A

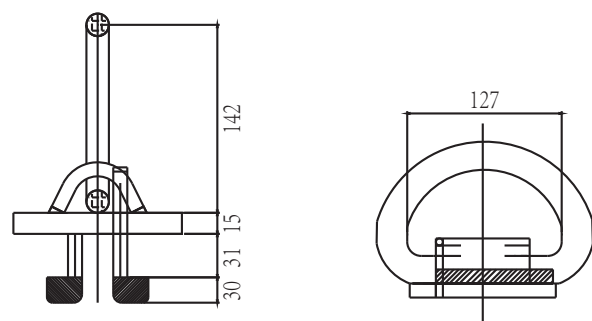
Sliding D-Ring

Weight:8 Kg

Breaking Load:400KN

Material:Ring:Drop-Forged HTS-Steel

Finish:Primer Painted



DR-SLIDING/B