

Fixed Container Fittings

Double Transversal Round Cup Stacking Cone

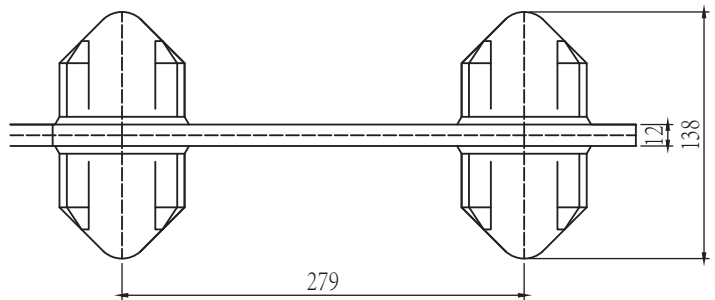
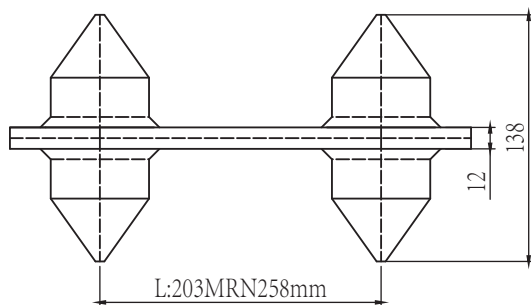
Weight:L=203Mm•7.8Kg

L=258Mm•8.5Kg

Breaking Load:420KN

Material:Forged And Welded Steel

Finish:Hot Dip Galvanized



S-A/2T

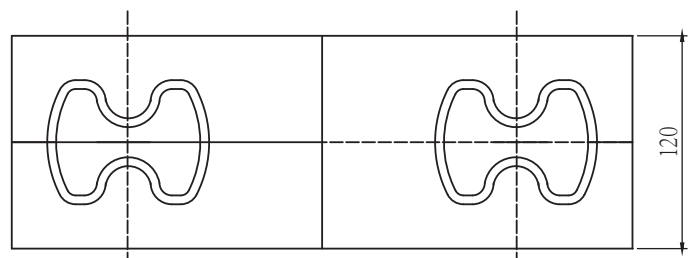
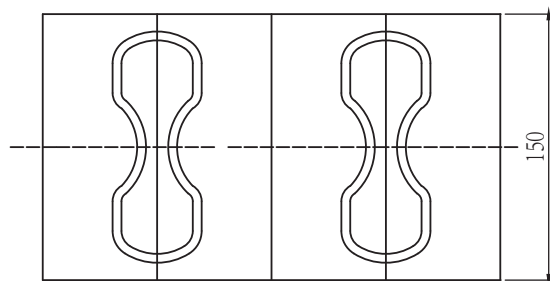
Double Longitudinal Round Cup Stacking Cone

Weight:9.5Kg

Breaking Load:420KN

Material:Forged And Welded Steel

Finish:Hot Dip Galvanized



S-A/2L