

Marine Lashing For Container Vessel

Fixed Container Fittings

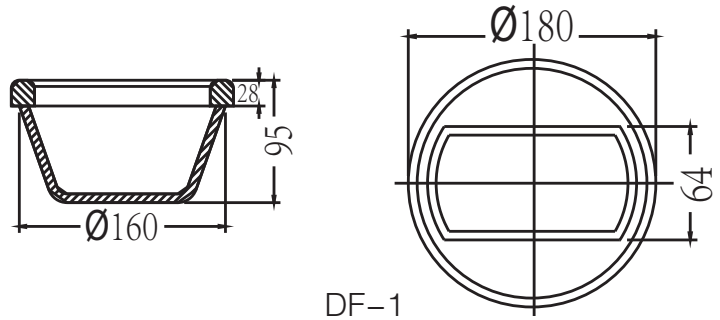
Single Flush Deck Socket

Weight: 7 Kg

Breaking Load: 500KN

Material: Shipbuilding Steel

Finish: Primer Painted



DF-1

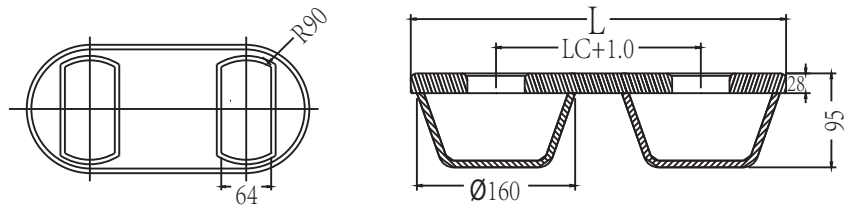
Double Transversal Flush Deck Socket

Weight: 17.6 Kg

Breaking Load: 500KN

Material: Shipbuilding Steel

Finish: Primer Painted



DF-2

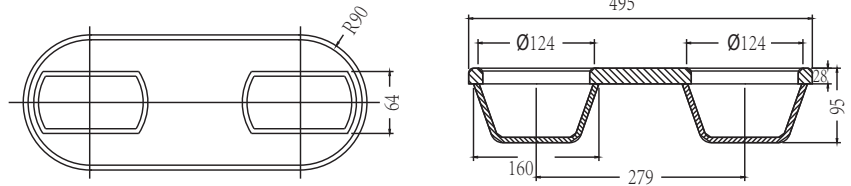
Double Longitudinal Flush Deck Socket

Weight: 18.8 Kg

Breaking Load: 500KN

Material: Shipbuilding Steel

Finish: Primer Painted



DF-3

Quadruple Flush Deck Socket

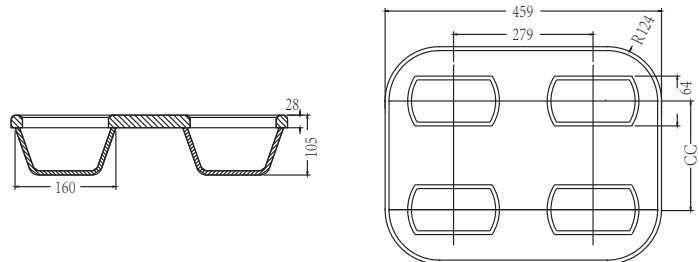
Weight: DF-4(10)Cc=203mm•42.1Kg

DF-4(20)Cc=258mm•45.7Kg

Breaking Load: 500KN

Material: Shipbuilding Steel

Finish: Primer Painted



DF-4