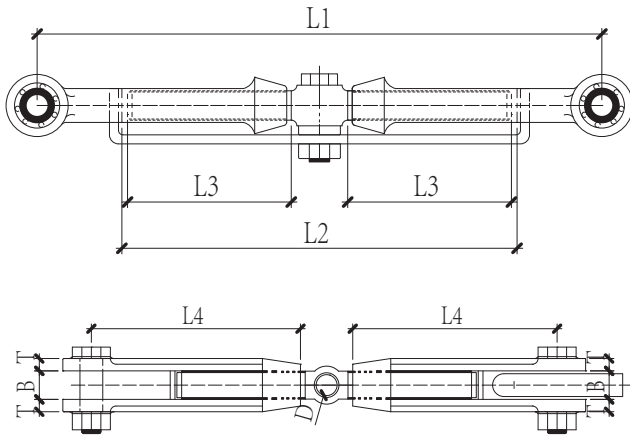
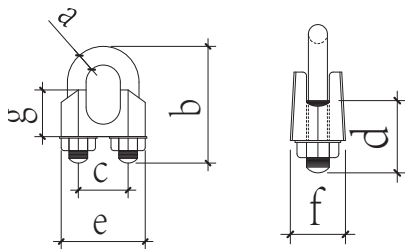


## Rigging Screws(Japan style)



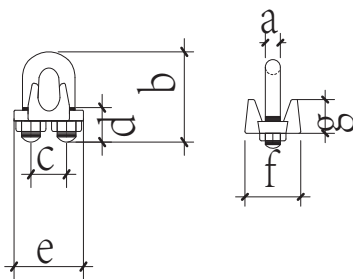
Size	Wire Rope Dia	S. W. L	Screw Dia
mm	mm	KN	mm
20	22.4	50	M27
24	24	57.9	M30
25	25	67.7	M33



diameter wire rope	diameter bow	length bow	width inside	length thread	length base	thickness base	height base	weight per 100pcs
mm	a mm	b mm	c mm	d mm	e mm	f mm	g mm	kg
19	12	75	32	38	54	29	30	28
22	14	85	37	44	61	33	34	40
26	14	95	41	45	65	35	37	44

### German Type

- Material : Bridge : Casted  
U-bolt : Mild steel
- Standard : DIN 741
- Finish : Electro-galvanized
- Certificate : A works certificate can be supplied upon request



diameter wire rope	diameter bow	length bow	width inside	length thread	length base	thickness base	height base	weight per 100pcs
inches	a mm	b mm	c mm	d mm	e mm	f mm	g mm	kg
1/4	8	34	19	13	37	30	18	8
5/16	10	45	22	19	43	33	19	14
3/8	11	49	26	19	49	42	25	19

### American Type

- Material : Drop forged high tensile steel
- Standard : Formerly U.S. Federal Specification FF-C-450D
- Finish : Hot dipped galvanized
- Certificate : A works certificate can be supplied upon request.