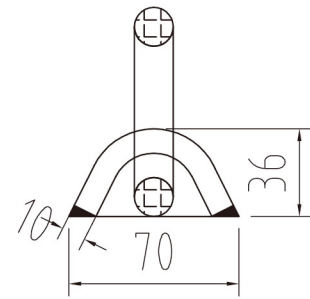
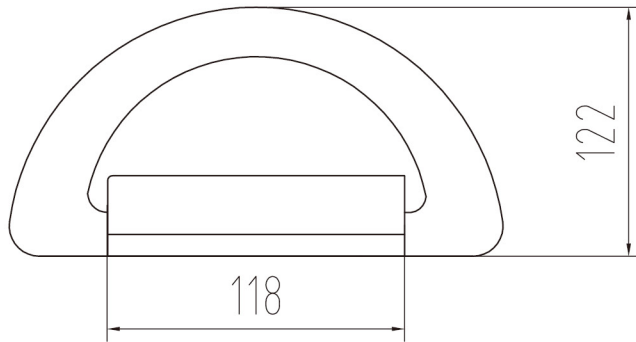
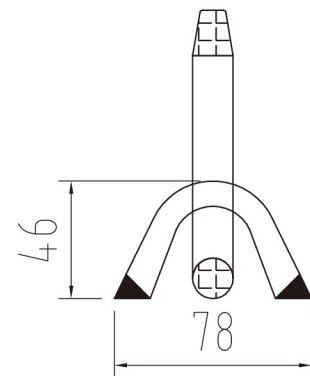
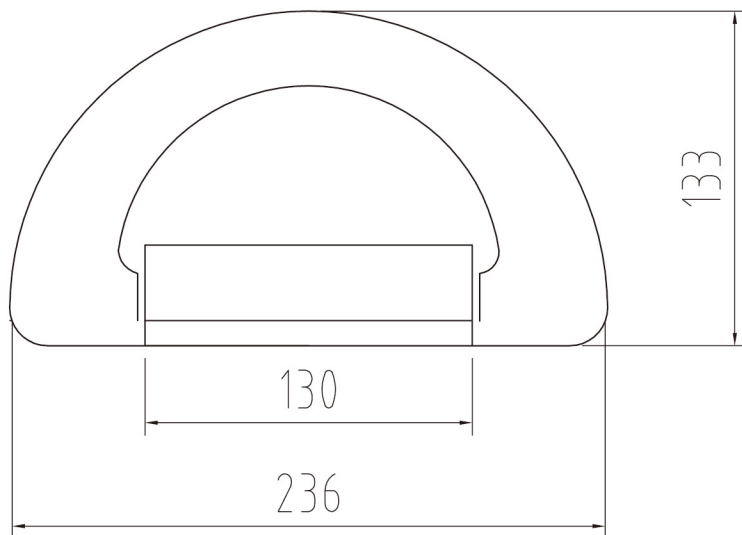


D Rings



36T D rings



50T D rings

Type	M. B. L	Weight
DR-36T	360KN	2.9kg
DR-50T	490KN	4.6kg

Specification

- Material :Heat Treatable Steel
- M.B.L :See Table
- Finish :Painted
- Certificate:Work shop certificate,class certificate upon request