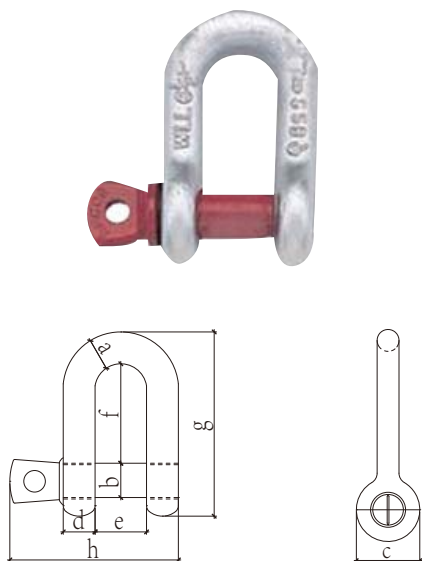


## Standard Shackle

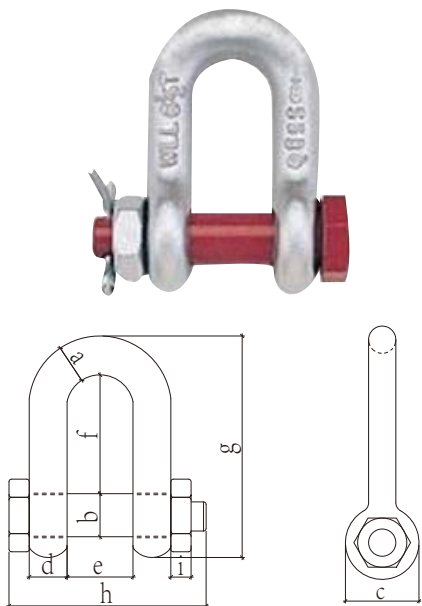
### D Shackle With Screw Pin



G 210

S.W.L	a	b	c	d	e	f	g	h	Weight
Ton	mm	mm	mm	mm	mm	mm	mm	mm	KG
2	13.5	16	34	13	22	43	81	73	0.32
3.25	16	19	40	16	27	51	97	89	0.54
4.75	19	22	46	19	31	59	112	103	0.87
6.5	22	25	52	22	36	73	134	119	1.34
8.5	25	28	59	25	43	85	154	137	2.08
9.5	28	32	66	28	47	90	167	153	2.77
12	32	35	72	32	51	94	180	170	3.72
13.5	35	38	80	35	57	115	209	186	5.14
17	38	42	88	38	60	127	230	203	6.85
25	45	50	103	45	74	149	271	243	11.45
35	50	57	111	50	83	171	305	272	16.86
42.5	57	65	130	57	95	190	345	310	24.61
55	65	70	145	65	105	203	376	344	32.65

### D Shackle With Safety Bolt Nut



G 2150

S.W.L	a	b	c	d	e	f	g	h	i	Weight
Ton	mm	mm	mm	mm	mm	mm	mm	mm	mm	KG
2	13.5	16	34	13	22	43	81	82	13	0.39
3.25	16	19	40	16	27	51	97	98	17	0.67
4.75	19	22	46	19	31	59	112	114	19	1.08
6.5	22	25	52	22	36	73	134	130	22	1.66
8.5	25	28	59	25	43	85	154	150	25	2.46
9.5	28	32	66	28	47	90	167	166	27	3.4
12	32	35	72	32	51	94	180	178	30	4.51
13.5	35	38	80	35	57	115	209	197	33	6.1
17	38	42	88	38	60	127	230	202	19	7.63
25	45	50	103	45	74	149	271	249	23	13.25
35	50	57	111	50	83	171	305	269	26	18.53
42.5	57	65	130	57	95	190	345	301	29	25.94
55	65	70	145	65	105	203	376	330	32	35.33
85	75	83	162	73	127	229	427	380	39	52.97

## Specification

- Material :Bow and pin high tensile steel,Grade
- Safety Factor:M.B.L equals  $6 \times WLL$
- Finish :Hot dipped galvanized
- Certificate :Work shop certificate,class certificate upon request