

Fixed Container Fittings

Semi-Automatic Twistlock

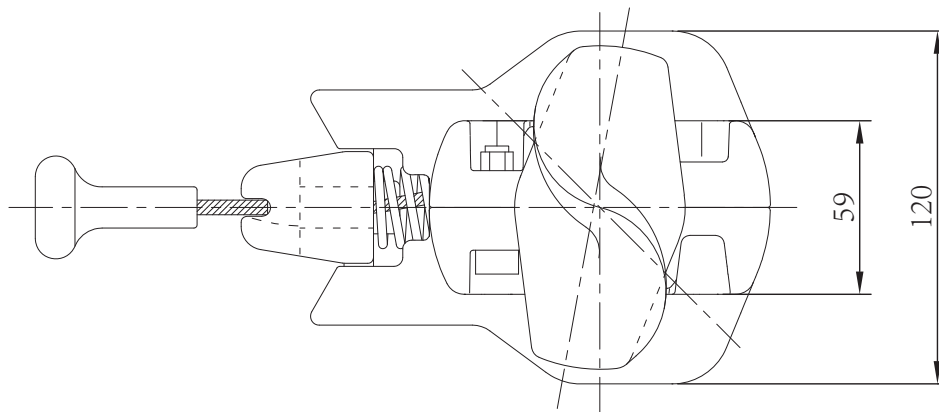
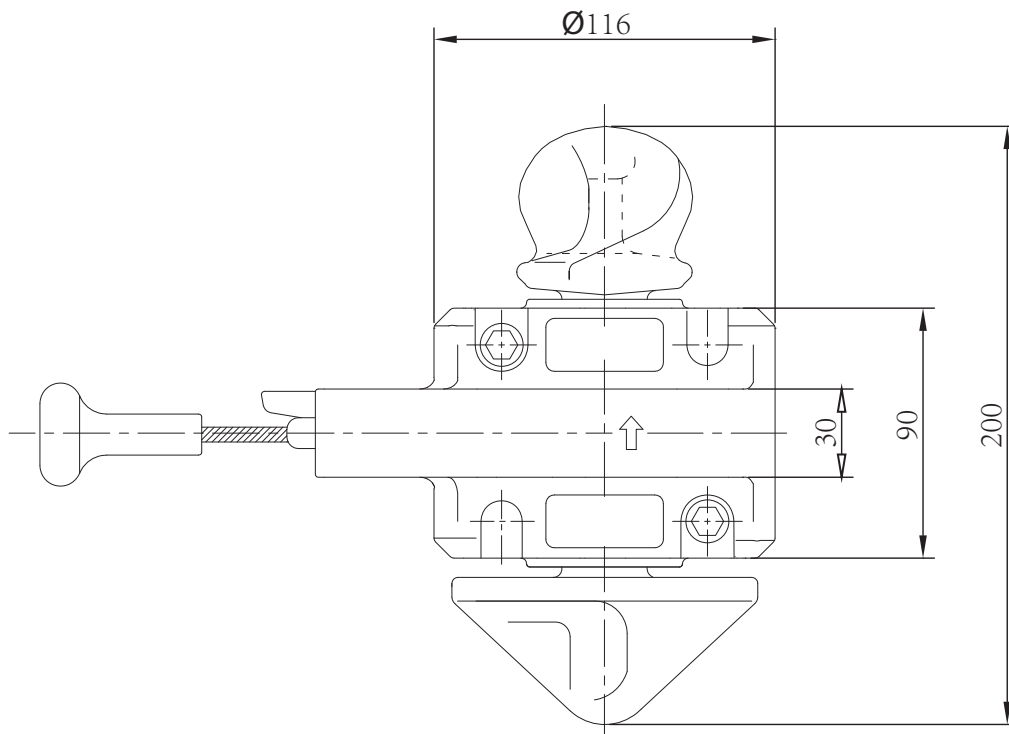
Weight:6.3Kg

Breaking Load:500KN

Material:Cone:Forged Steel

Body:Casted Steel

Finish:Hot Dip Galvanized



TL-D