

Fixed Container Fittings

Dovetail Line Load Twistlock 55°

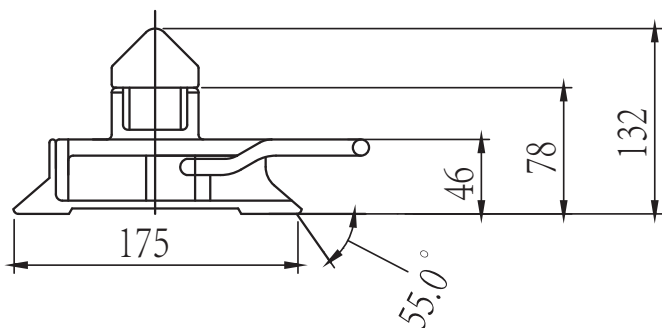
Weight:7.2Kg

Breaking Load:500KN

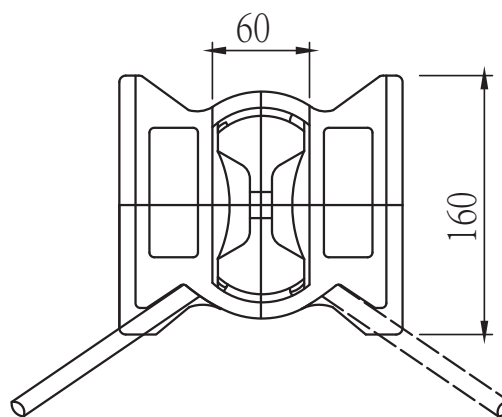
Material:Cone:Forged Steel

Body:Cast Steel

Finish:Hot Dip Galvanized



TL-55/A



Dovetail Line Load Twistlock 55°

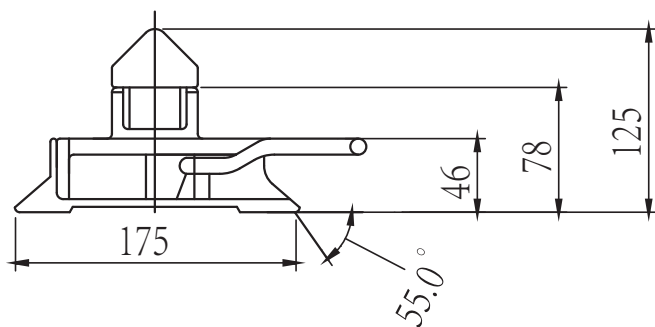
Weight:7.8Kg

Breaking Load:500KN

Material:Cone:Forged Steel

Body:Cast Steel

Finish:Hot Dip Galvanized



TL-55/B

