

Fixed Container Fittings

Bridge Fitting

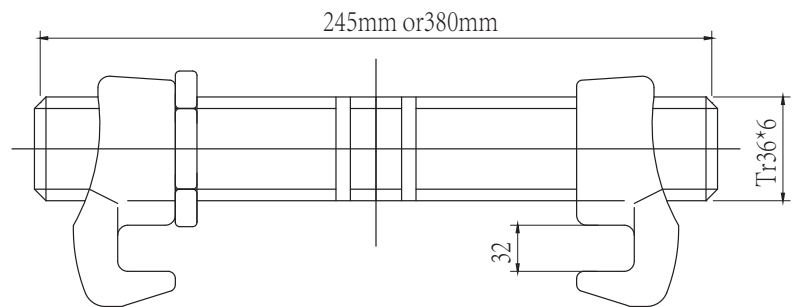
Weight:L=254Mm•4.2Kg

L=380Mm•5.7Kg

Breaking Load:100KN

Material:Cast Steel+Rolled Steel

Finish:Hot Dip Galvanized



BF-A

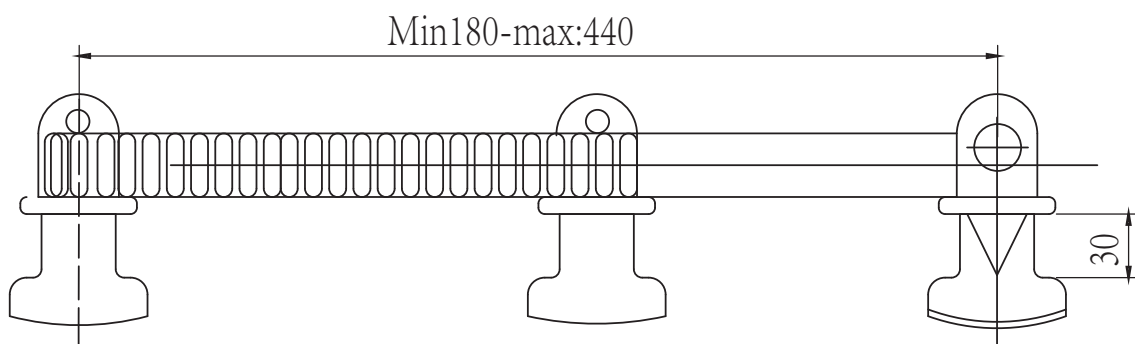
Tension/Compression Bridge Fitting

Weight:8.8Kg

Breaking Load:250KN

Material:Cast Steel+Tensile Steel

Finish:Hot Dip Galvanized



BF-B