

## Fixed Container Fittings

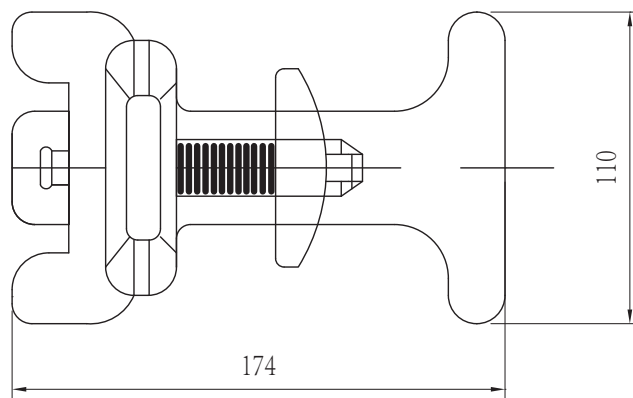
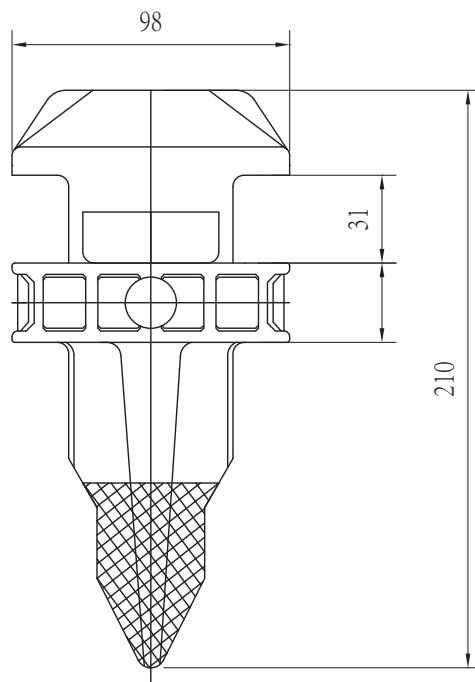
Full Automatic Mid Lock

Weight:6.8Kg

Breaking Load:500KN(Tensile)

Material:Cone:Forged Steel

Finish:Hot Dip Galvanized



ML-1