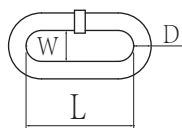
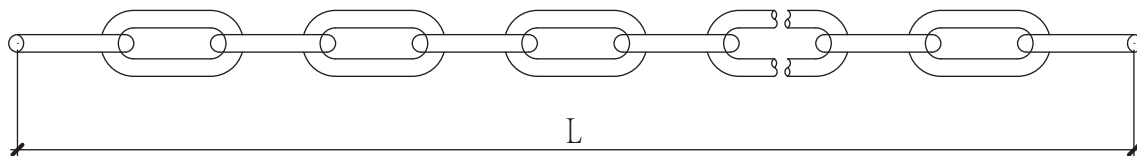


Lashing Chain

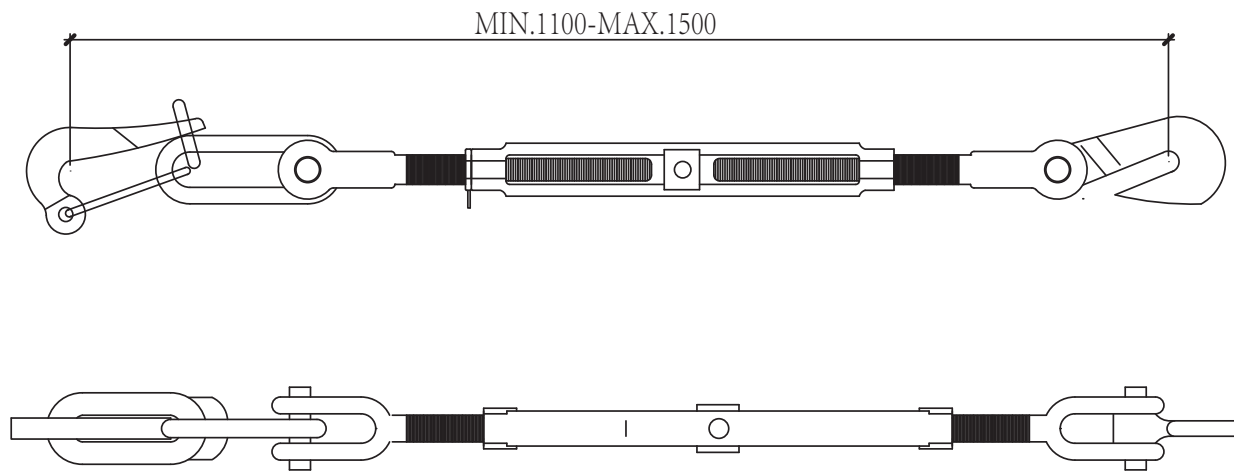


Specification

- M.B.L:See table
- Finish:Hot dip galvanized

| MODEL | B. L. | DIA. (D) | INSIDE LENGTH (L) | INSIDE LENGTH (L) | WEIGHT |
|----------|-------|----------|-------------------|-------------------|--------|
| L-13/16T | 16ton | φ 13 | 80 | 23 | 3kg/m |

Turnbuckle



Specification

- Finish:Galvanized
- Weight:12.5kg
- B.L:16ton