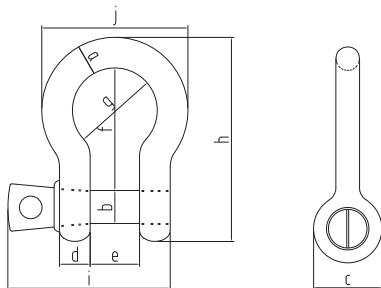


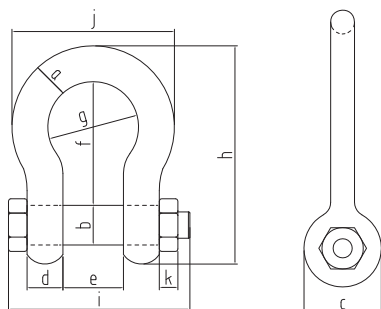
Standard Shackle



G 209

Bow Shackle With Screw Pin

S. W. L Ton	a mm	b mm	c mm	d mm	e mm	f mm	g mm	h mm	Weight KG
2	13.5	16	34	13	22	43	81	73	0.32
3.25	16	19	40	16	27	51	97	89	0.54
4.75	19	22	46	19	31	59	112	103	0.87
6.5	22	25	52	22	36	73	134	119	1.34
8.5	25	28	59	25	43	85	154	137	2.08
9.5	28	32	66	28	47	90	167	153	2.77
12	32	35	72	32	51	94	180	170	3.72
13.5	35	38	80	35	57	115	209	186	5.14
17	38	42	88	38	60	127	230	203	6.85
25	45	50	103	45	74	149	271	243	11.45
35	50	57	111	50	83	171	305	272	16.86
42.5	57	65	130	57	95	190	345	310	24.61
55	65	70	145	65	105	203	376	344	32.65



G 2130

Bow Shackle With Safety Bolt Nut

S. W. L Ton	a mm	b mm	c mm	d mm	e mm	f mm	g mm	h mm	i mm	j mm	Weight KG
2	13.5	16	34	13	22	51	32	89	73	58	0.36
3.25	16	19	40	16	27	64	43	110	89	75	0.63
4.75	19	22	46	19	31	76	51	129	103	89	1.01
6.5	22	25	52	22	36	83	58	144	119	102	1.5
8.5	25	28	59	25	43	95	68	164	137	118	2.21
9.5	28	32	66	28	47	108	75	185	153	131	3.16
12	32	35	72	32	51	115	83	201	170	147	4.31
13.5	35	38	80	35	57	133	92	227	186	162	5.55
17	38	42	88	38	60	146	99	249	203	175	7.43
25	45	50	103	45	74	178	126	300	243	216	12.84
35	50	57	111	50	83	197	138	331	272	238	18.15
42.5	57	65	130	57	95	222	160	377	310	274	26.29
55	65	70	145	65	105	260	180	433	344	310	37.6
85	75	83	162	73	127	329	190	527	380	340	62

Specification

- Material :Bow and pin high tensile steel,Grade 6
- Safety Factor:M.B.L equals 6 × WLL
- Finish :Hot dipped galvanized
- Certificate :Work shop certificate,class certificate upon request